

FIBRELITE

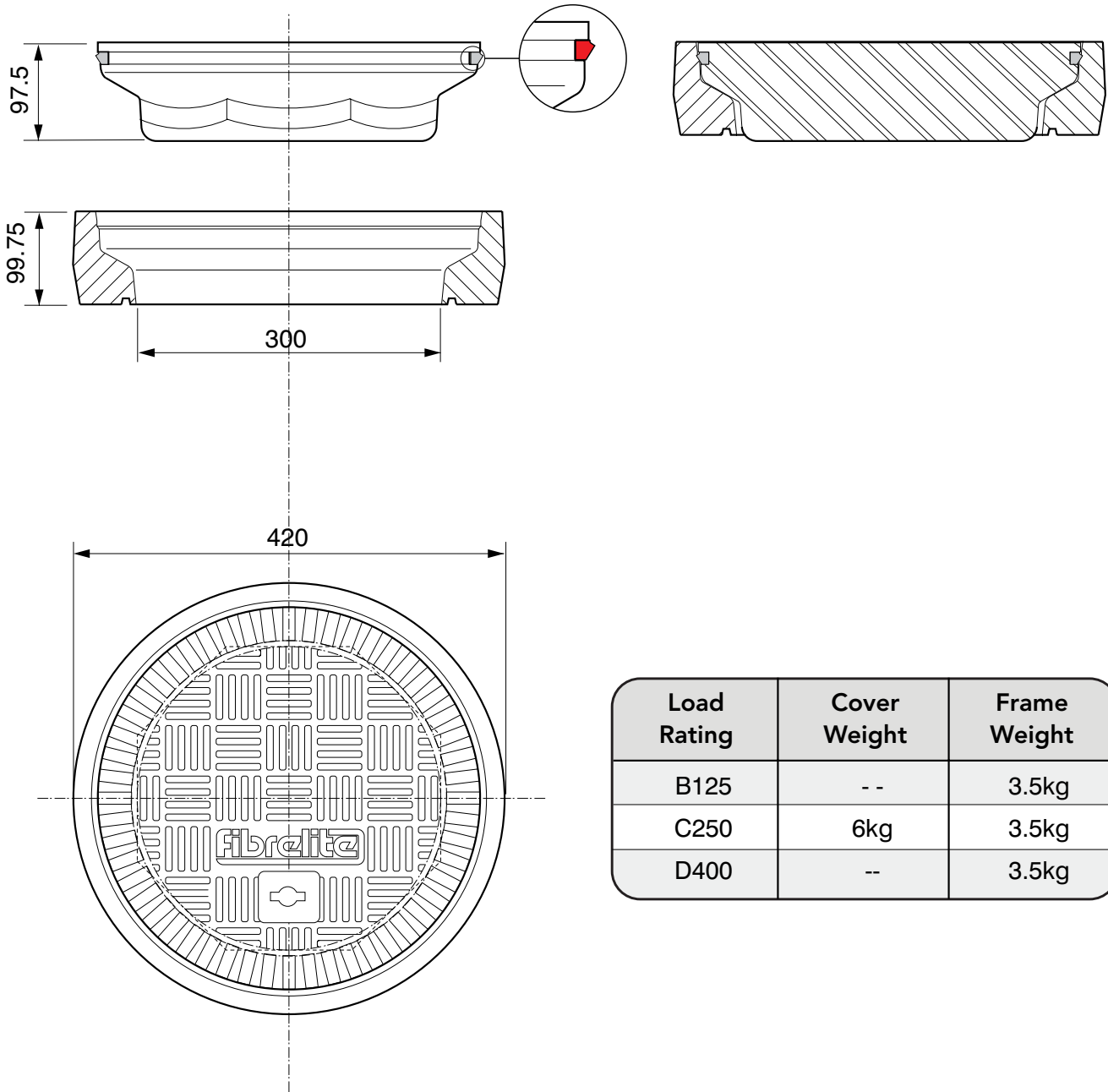
Category: **ACCESS COVER & FRAME - SEALED**

Product Description: 300mm diameter flat sealed composite cover with a composite frame.

Page No: **1**

Product Code: **FL120**

Date: **May 2013**



Load Rating	Cover Weight	Frame Weight
B125	--	3.5kg
C250	6kg	3.5kg
D400	--	3.5kg



Category: **ACCESS COVER & FRAME - SEALED**

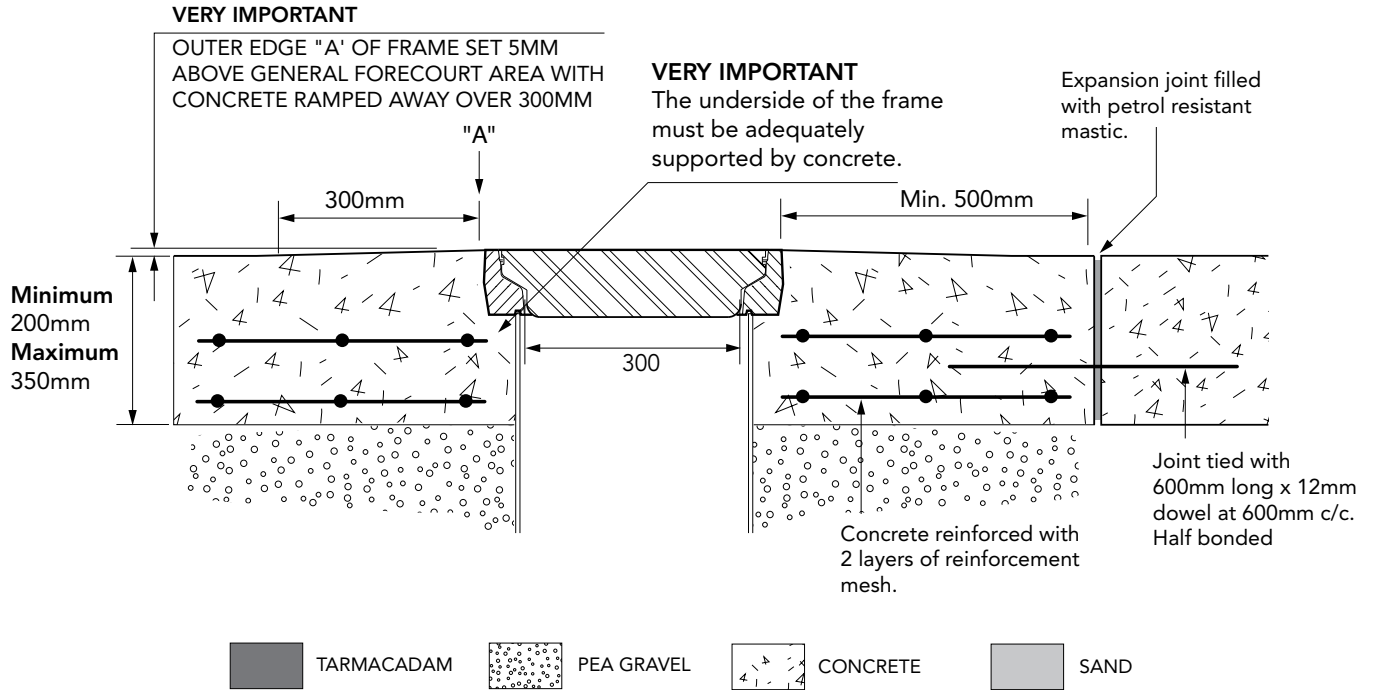
Product Description: 300mm diameter flat sealed composite cover with a composite frame.

Page No: **2**

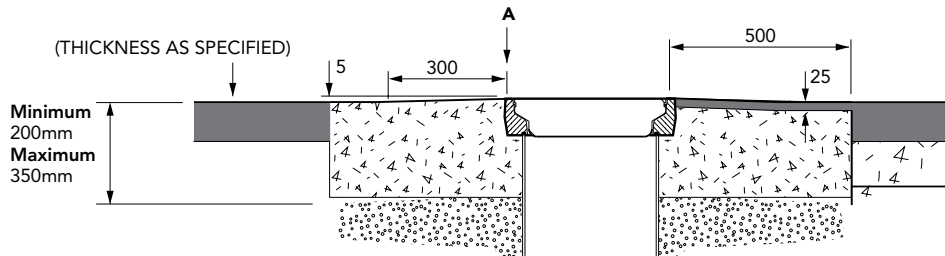
Product Code: **FL120**

Date: **May 2013**

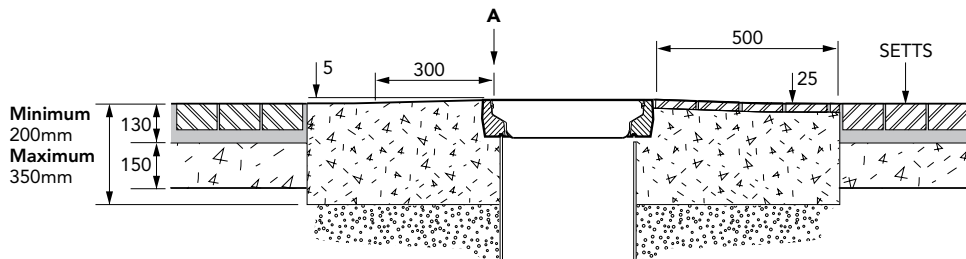
CONCRETE



TARMACADAM



SETTS



Category: **ACCESS COVER & FRAME - SEALED**

Product Description: 300mm diameter flat sealed composite cover with a composite frame.

Page No: **3**

Product Code: **FL120**

Date: **May 2013**