

FL600 COVER

SEAL

FL600 FRAME

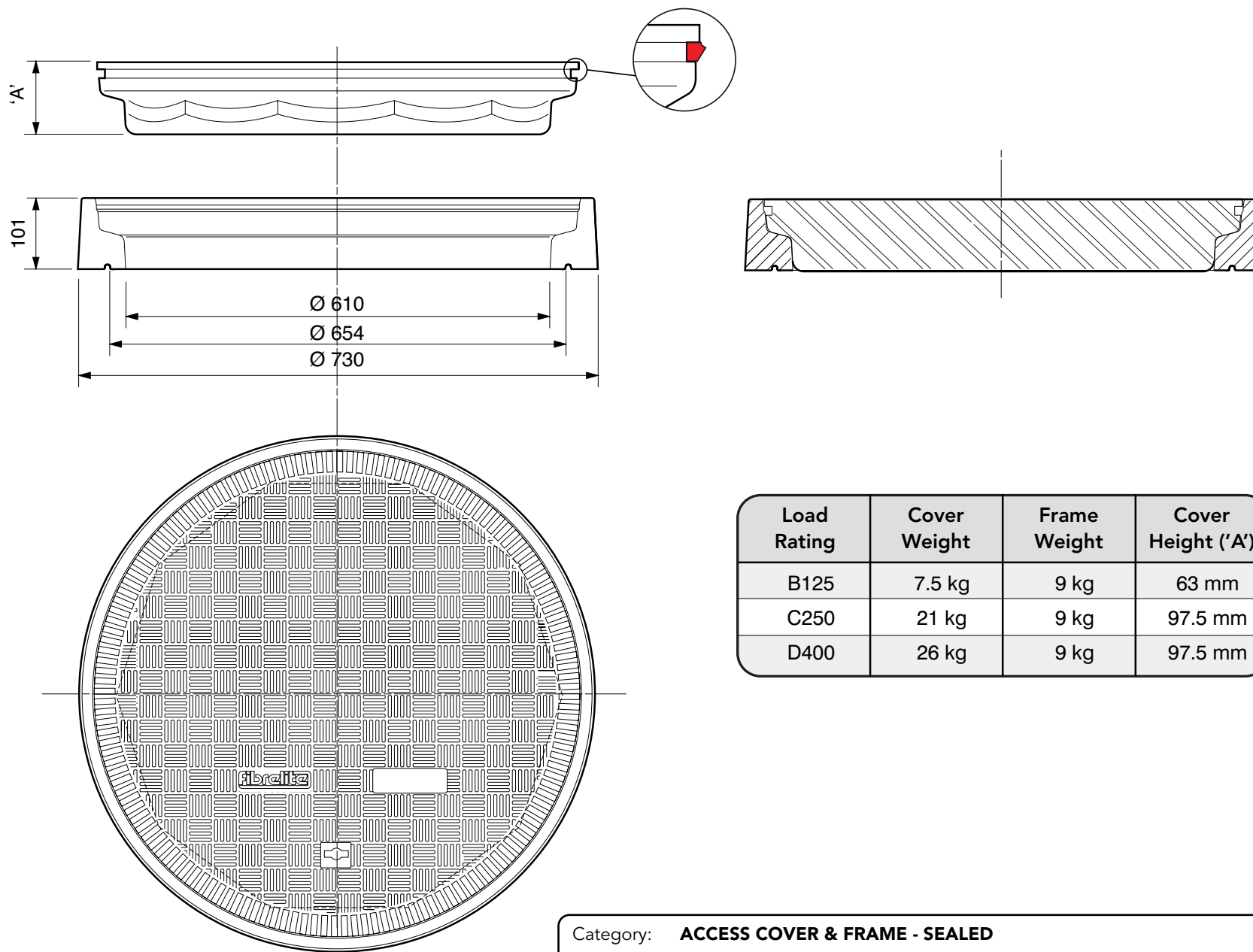
Category: **ACCESS COVER & FRAME - SEALED**

Product Description: 600mm diameter flat sealed composite cover with a composite frame.

Page No: **1**

Product Code: **FL600**

Date: **May 2013**



Category: **ACCESS COVER & FRAME - SEALED**

Product Description: 600mm diameter flat sealed composite cover with a composite frame.

Page No: **2**

Product Code: **FL600**

Date: **May 2013**

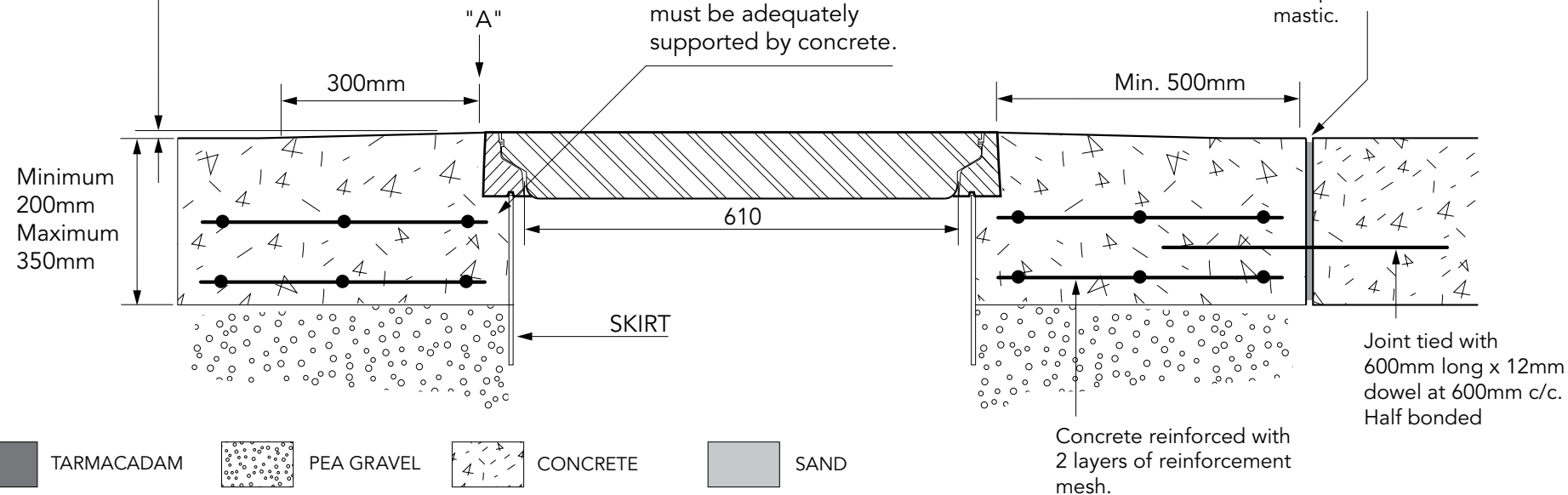
CONCRETE

VERY IMPORTANT

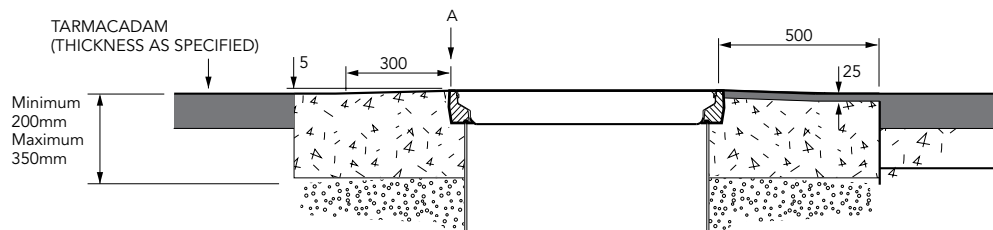
OUTER EDGE "A" OF FRAME SET 5MM ABOVE GENERAL FORECOURT AREA WITH CONCRETE RAMPED AWAY OVER 300MM

VERY IMPORTANT

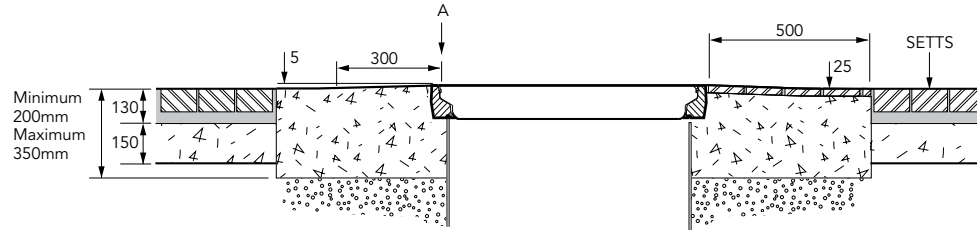
The underside of the frame must be adequately supported by concrete.



TARMACADAM



SETTS



Category: **ACCESS COVER & FRAME - SEALED**

Product 600mm diameter flat sealed composite cover with a composite frame.
 Description:

Page No: **3**

Product Code: **FL600**

Date: **May 2013**

