

FL760 COVER

SEAL

FL760 FRAME

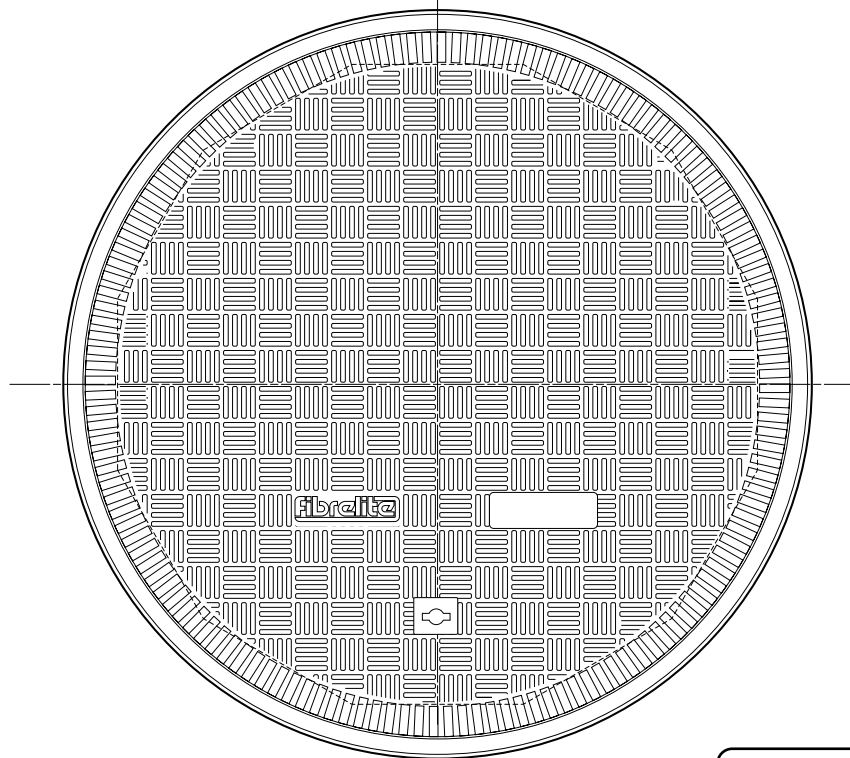
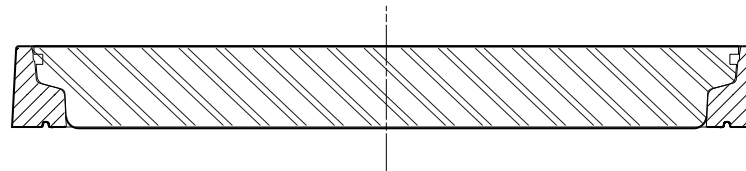
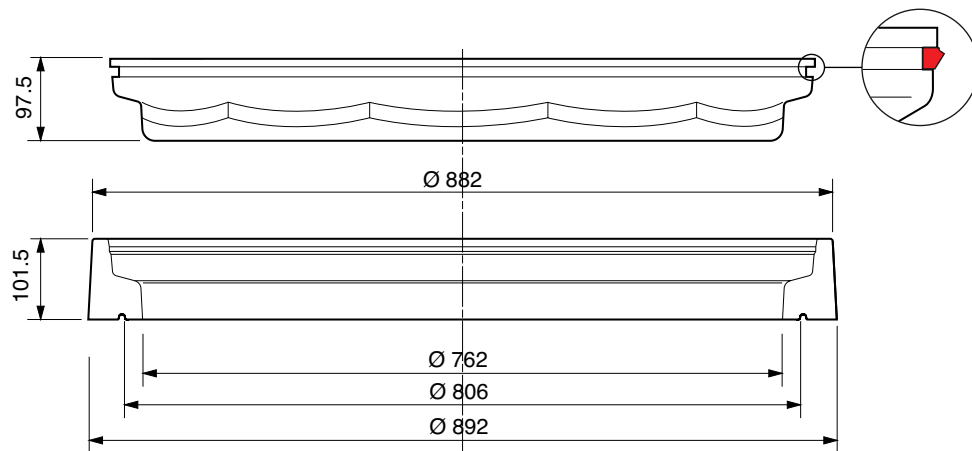
Category: **ACCESS COVER & FRAME - SEALED**

Product Description: 762 diameter flat sealed composite cover with a composite frame.

Page No: **1**

Product Code: **FL760**

Date: **May 2013**



Load Rating	Cover Weight	Frame Weight
B125	--	8kg
C250	27kg	8kg
D400	36kg	8kg



Category: **ACCESS COVER & FRAME - SEALED**

Product Description: 762 diameter flat sealed composite cover with a composite frame.

Page No: **2**

Product Code: **FL760**

Date: **May 2013**

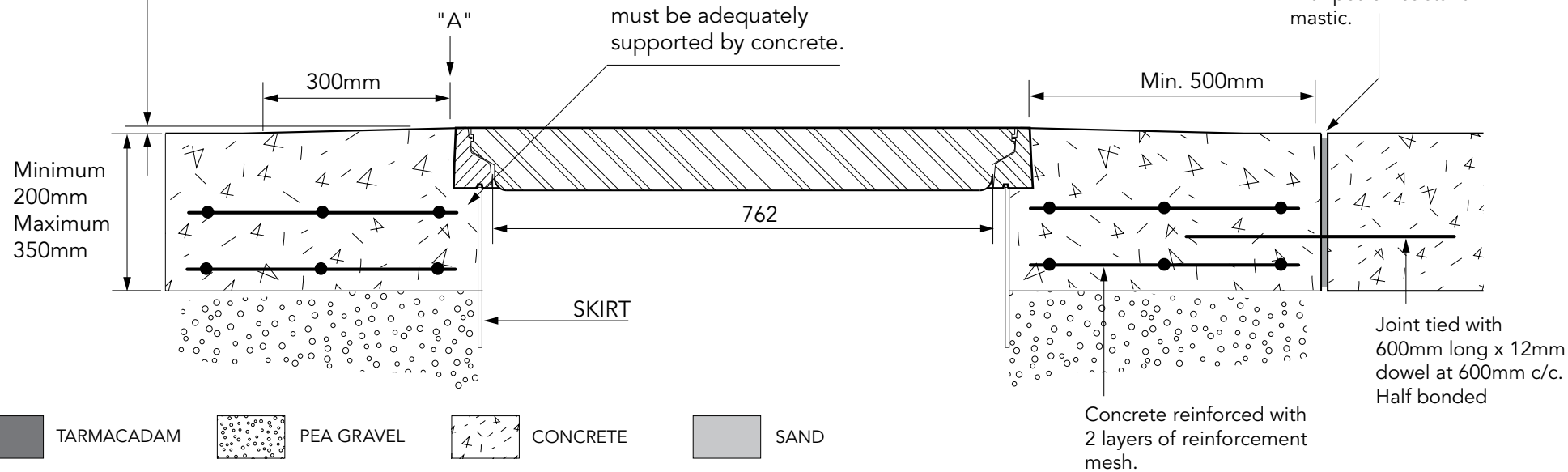
CONCRETE

VERY IMPORTANT

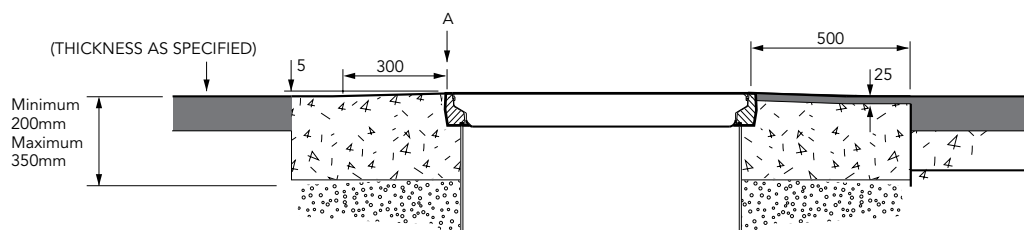
OUTER EDGE "A" OF FRAME SET 5MM ABOVE GENERAL FORECOURT AREA WITH CONCRETE RAMPED AWAY OVER 300MM

VERY IMPORTANT

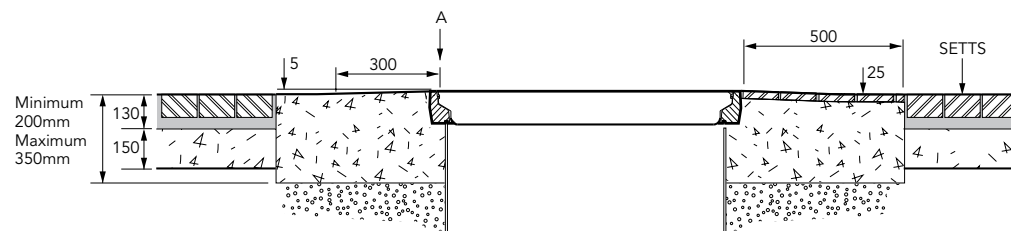
The underside of the frame must be adequately supported by concrete.



TARMACADAM



SETTS



Category: **ACCESS COVER & FRAME - SEALED**

Product Description: 762 diameter flat sealed composite cover with a composite frame.

Page No: **3**

Product Code: **FL760**

Date: **May 2013**