

Category: **TRENCH COVERS**

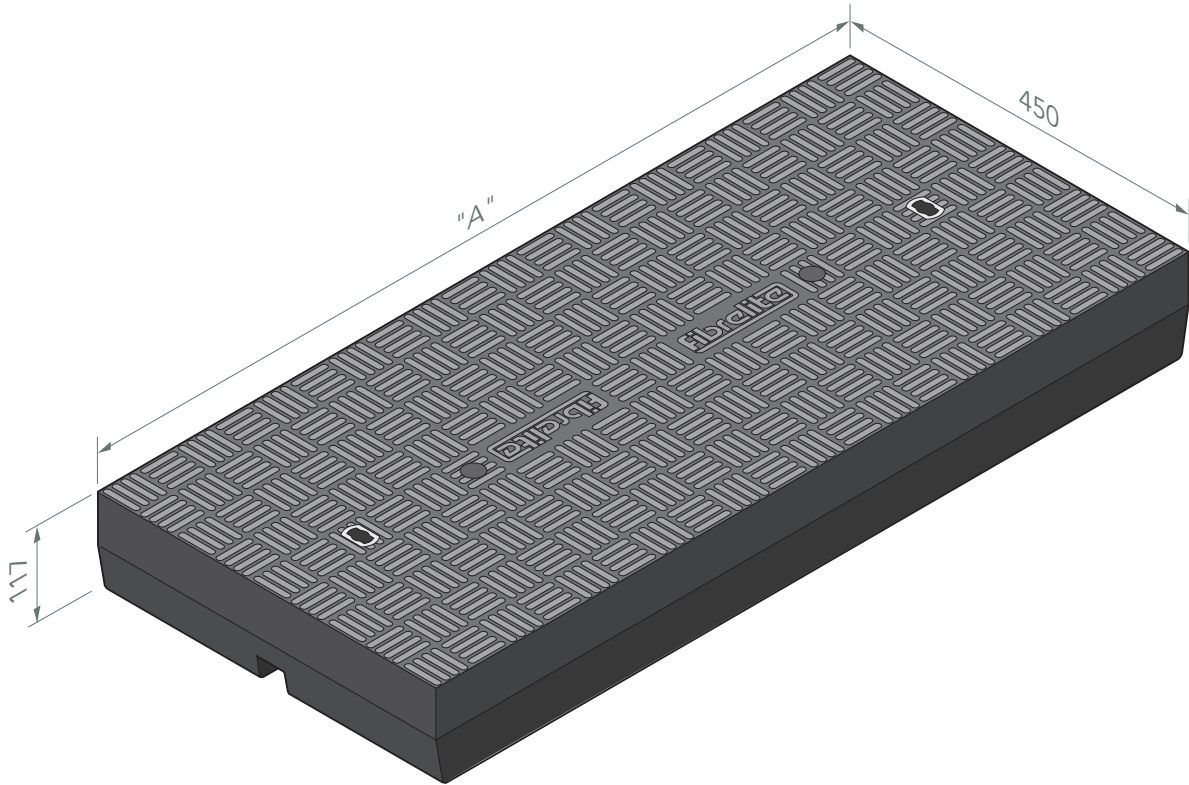
Product Description: Extreme heavy duty F900 load rating, composite trench covers.
Capable of withstanding loads of up to 202,000lb / 90 tonnes.

Page No: **1**

Drawing Code: **FM/EHD**

Date: **April 2014**

Cover Depth - 117mm



Product Code	Cover Length DIM "A" (mm)	Weight (Kg)
FM45-60-117/EHD	600	42
FM45-70-117/EHD	700	49
FM45-80-117/EHD	800	57
FM45-90-117/EHD	900	65



Category: **TRENCH COVERS**

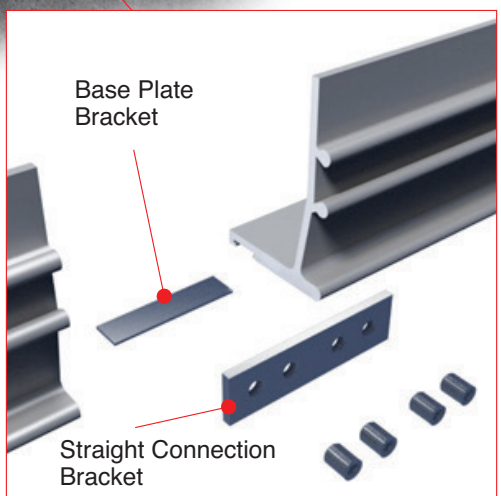
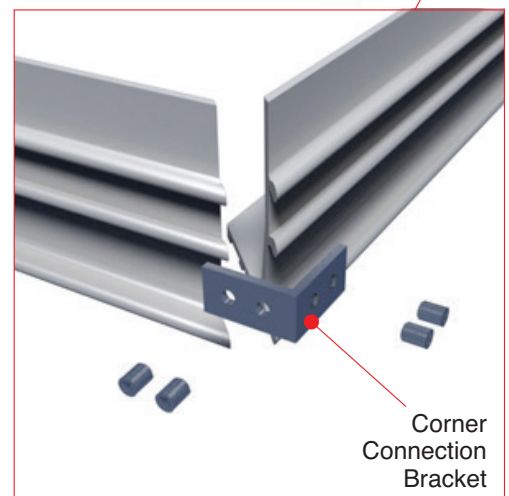
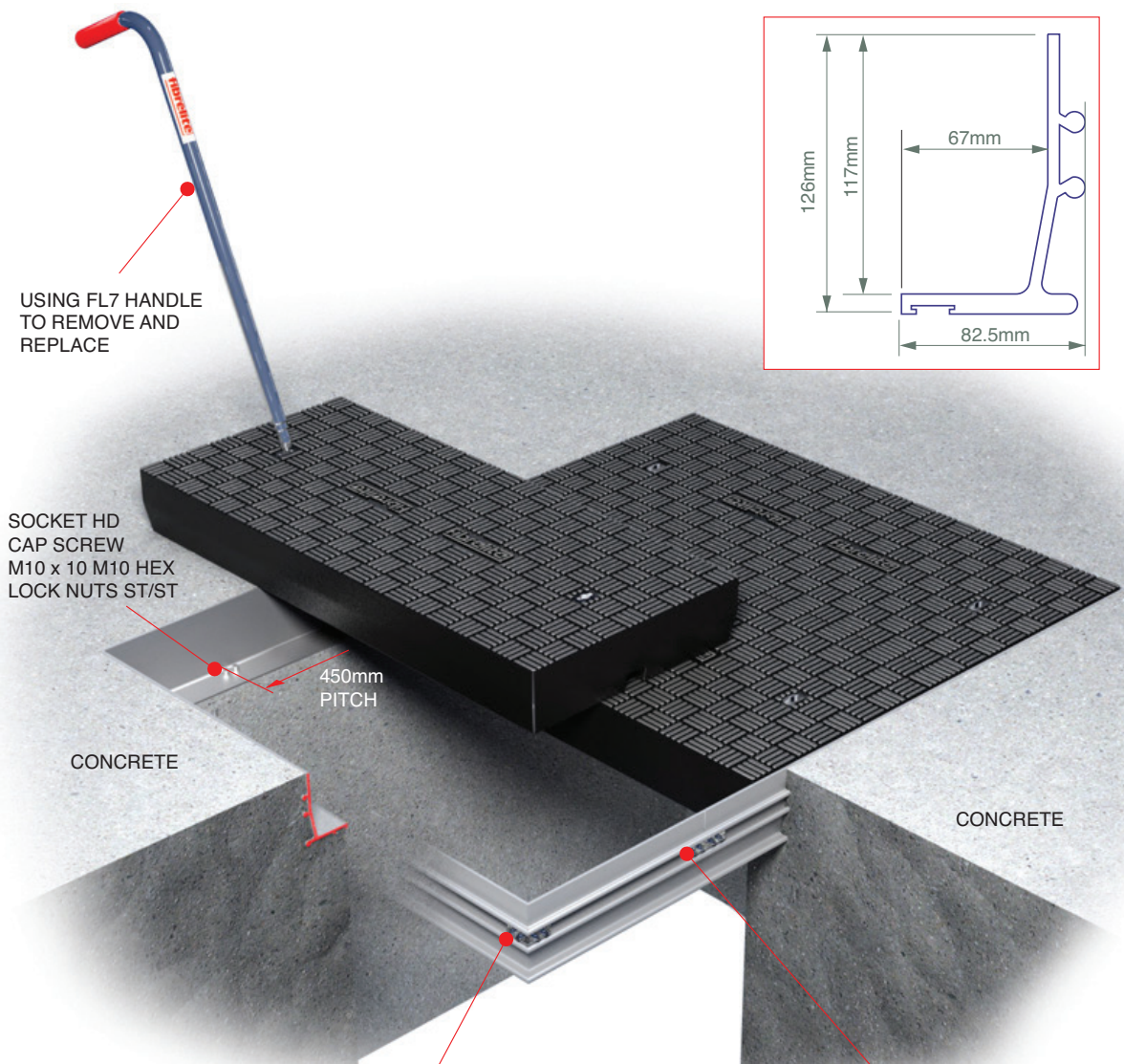
Product Description: Extreme heavy duty F900 load rating, composite trench covers. Capable of withstanding loads of up to 202,000lb / 90 tonnes.

Page No: **2**

Drawing Code: **FM/EHD**

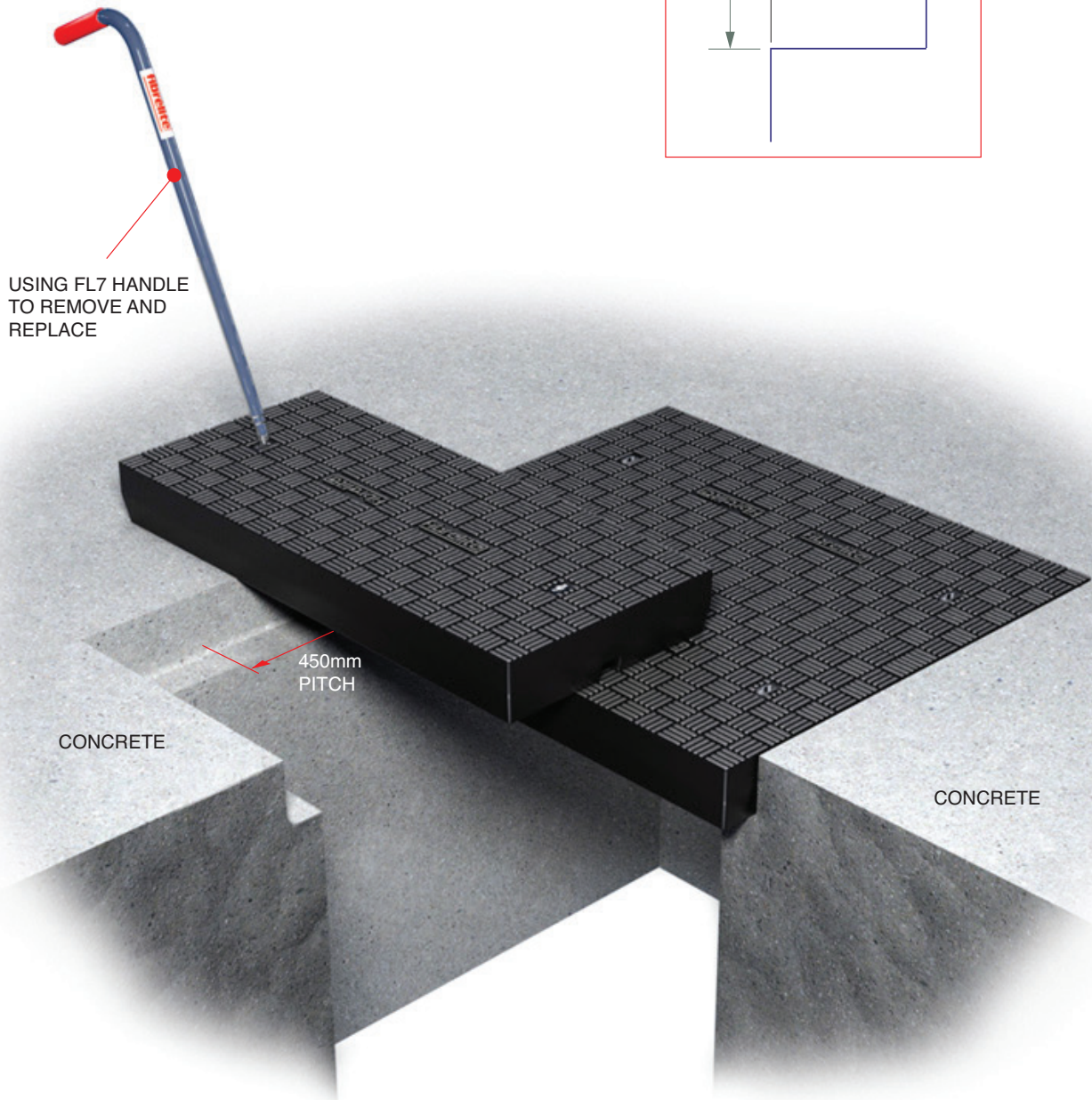
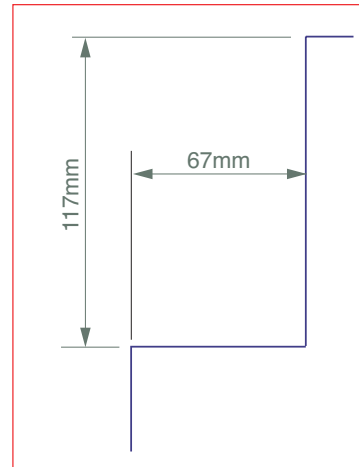
Date: **April 2014**

Frame Detail



Category:	TRENCH COVERS
Product Description:	Extreme heavy duty F900 load rating, composite trench covers. Capable of withstanding loads of up to 202,000lb / 90 tonnes.
Page No:	3
Drawing Code:	FM/EHD
Date:	April 2014

Rebate Detail



Category: **TRENCH COVERS**

Product Description: Extreme heavy duty F900 load rating, composite trench covers. Capable of withstanding loads of up to 202,000lb / 90 tonnes.

Page No: **4**

Drawing Code: **FM/EHD**

Date: **April 2014**