



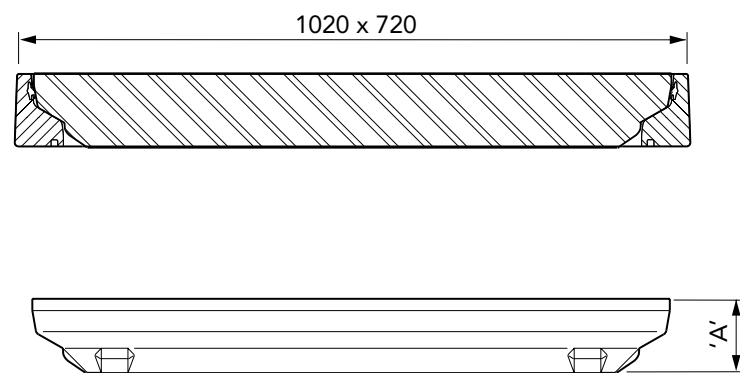
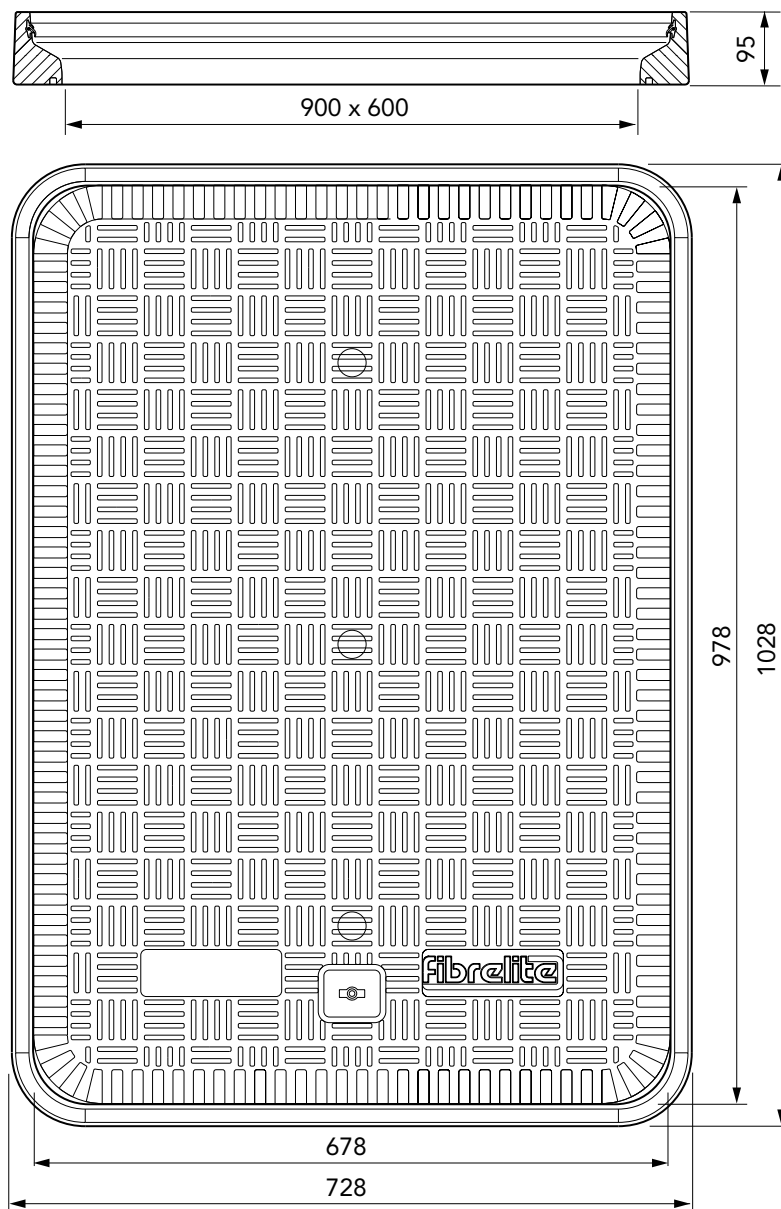
Category: **ACCESS COVER & FRAME - SEALED**

Product Description: 900 x 600 flat sealed composite cover with an aluminium frame.

Page No: **1**

Product Code: **FL96**

Date: **May 2013**



Load Rating	Cover Weight	Frame Weight	Cover Height ('A')
B125	18 kg	11 kg	63 mm
C250	27 kg	11 kg	97.5 mm
D400	38.5 kg	11 kg	97.5 mm
E600	47 kg	13.3 kg	97.5 mm

CONCRETE

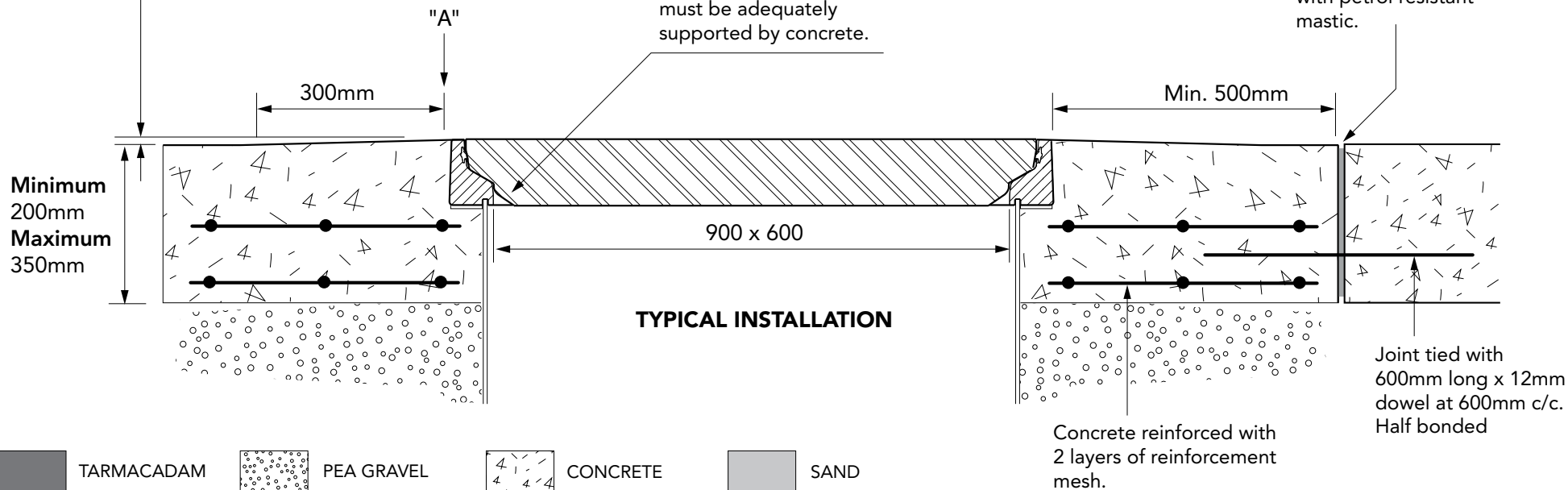
VERY IMPORTANT

OUTER EDGE "A" OF FRAME SET 5MM ABOVE GENERAL FORECOURT AREA WITH CONCRETE RAMPED AWAY OVER 300MM

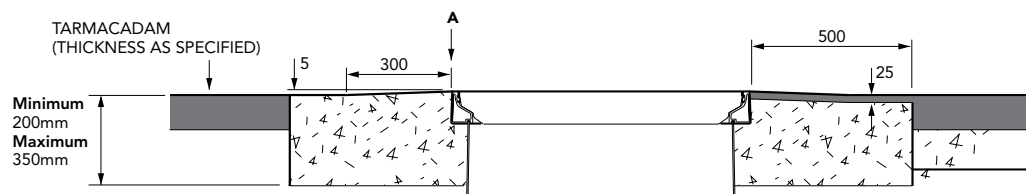
VERY IMPORTANT

The underside of the frame must be adequately supported by concrete.

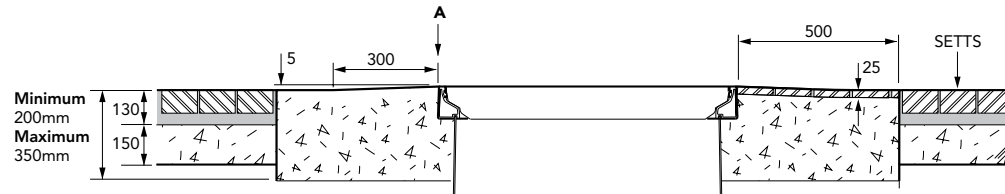
Expansion joint filled with petrol resistant mastic.



TARMACADAM



SETTS



Category: **ACCESS COVER & FRAME - SEALED**

Product 900 x 600 flat sealed composite cover with an aluminium frame.

Description:

Page No: **3**

Product Code: **FL96**

Date: **May 2013**