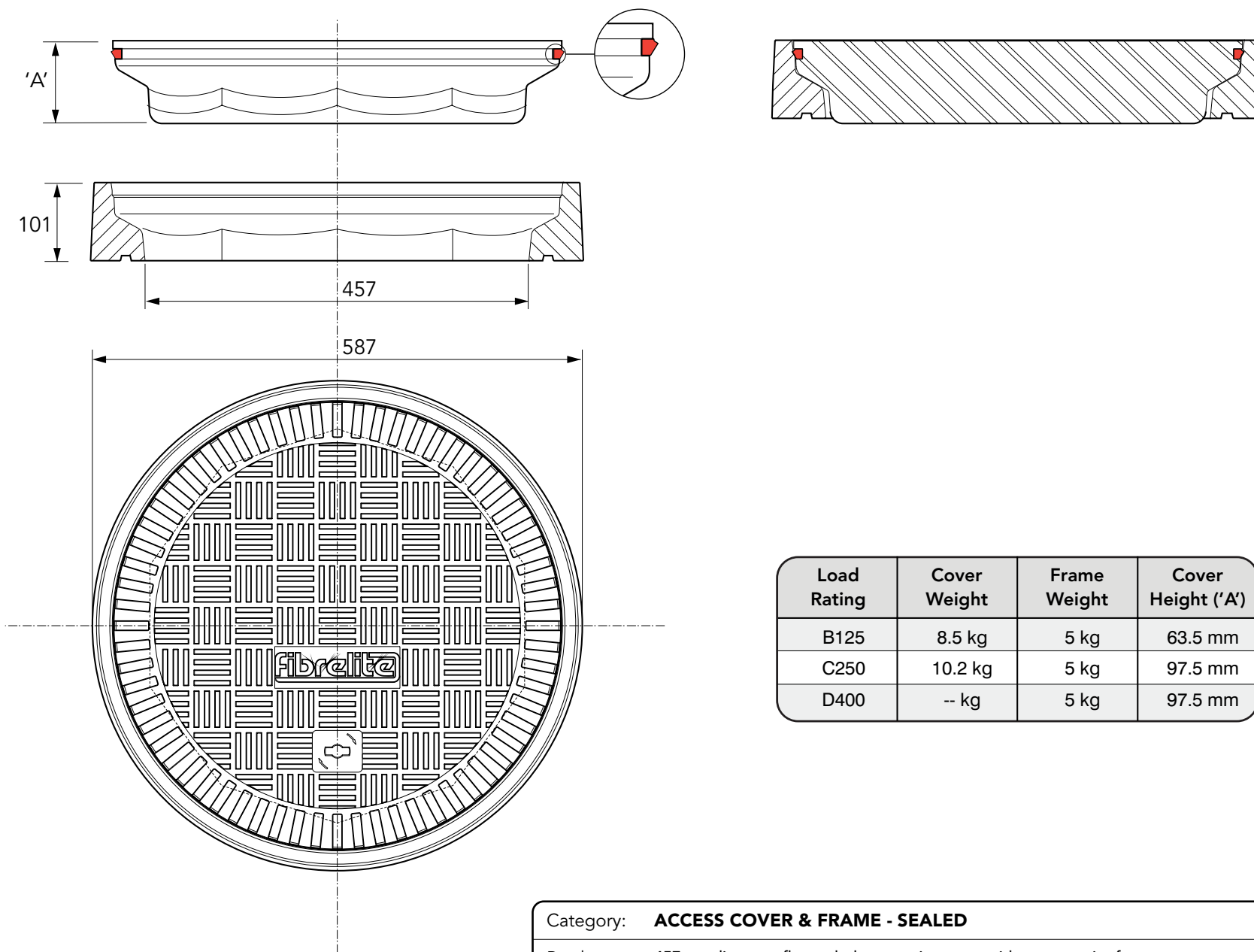


Category: ACCESS COVER & FRAME - SEALED		
Product Description: 457mm diameter flat sealed composite cover with a composite frame.		
Page No: 1	Product Code: FL180	Date: April 2013



Load Rating	Cover Weight	Frame Weight	Cover Height ('A')
B125	8.5 kg	5 kg	63.5 mm
C250	10.2 kg	5 kg	97.5 mm
D400	-- kg	5 kg	97.5 mm

Category: **ACCESS COVER & FRAME - SEALED**

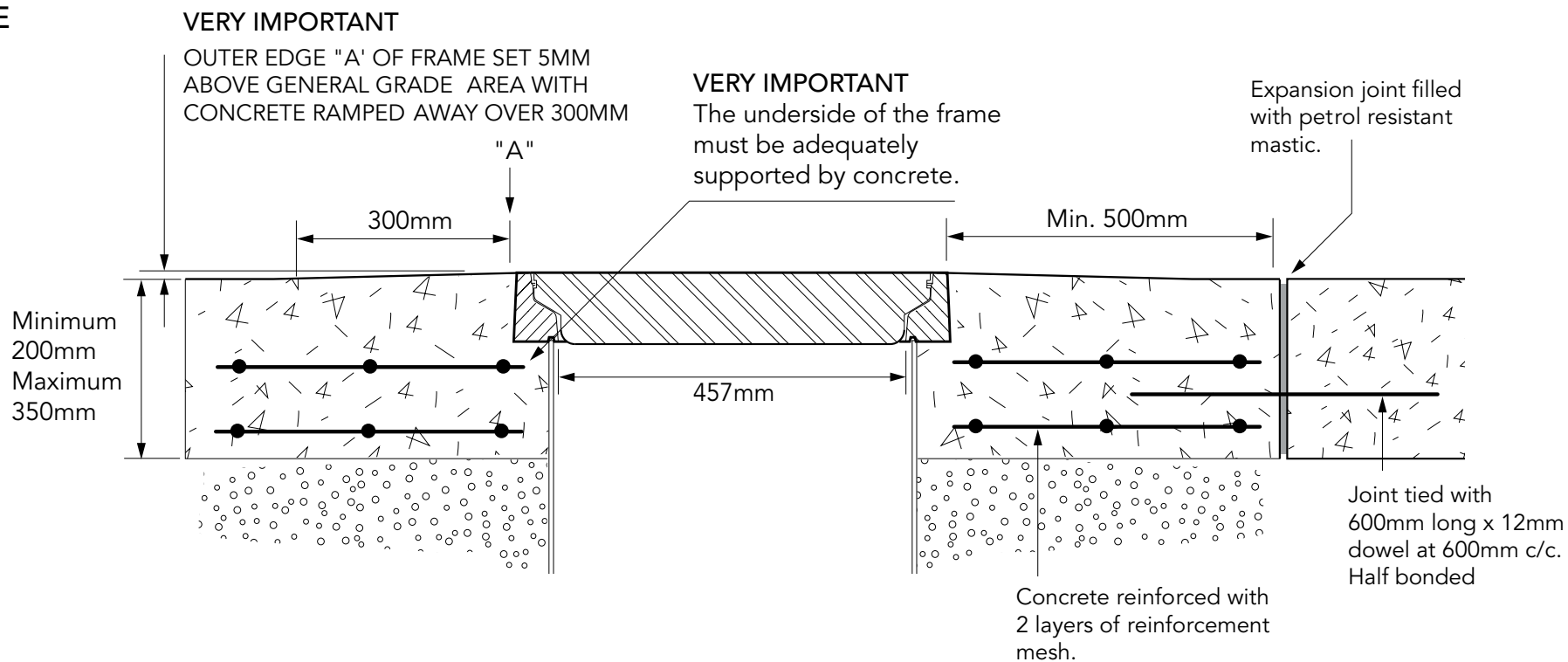
Product Description: 457mm diameter flat sealed composite cover with a composite frame.

Page No: **2**

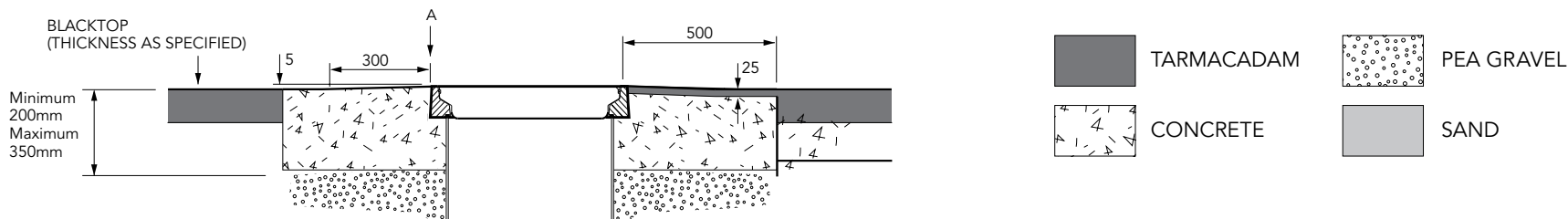
Product Code: **FL180**

Date: **April 2013**

CONCRETE



BLACKTOP



Category: **ACCESS COVER & FRAME - SEALED**

Product Description: 457mm diameter flat sealed composite cover with a composite frame.

Page No: **3**

Product Code: **FL180**

Date: **April 2013**