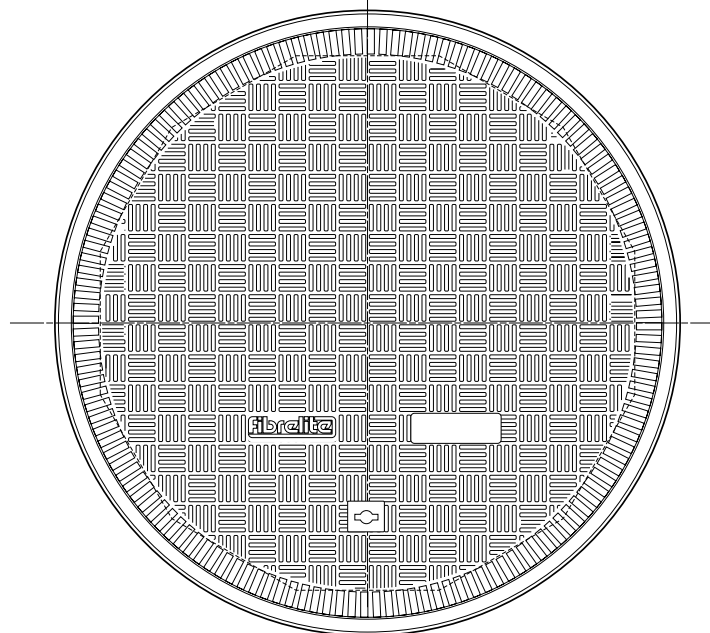
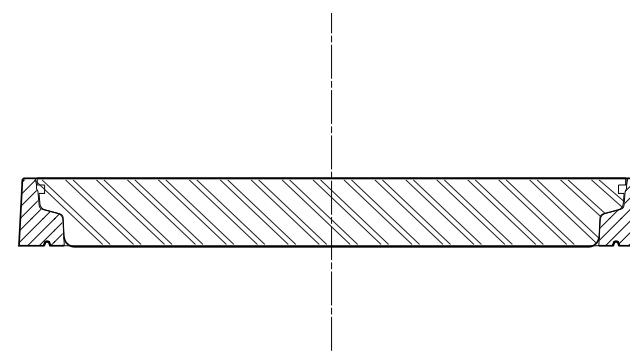
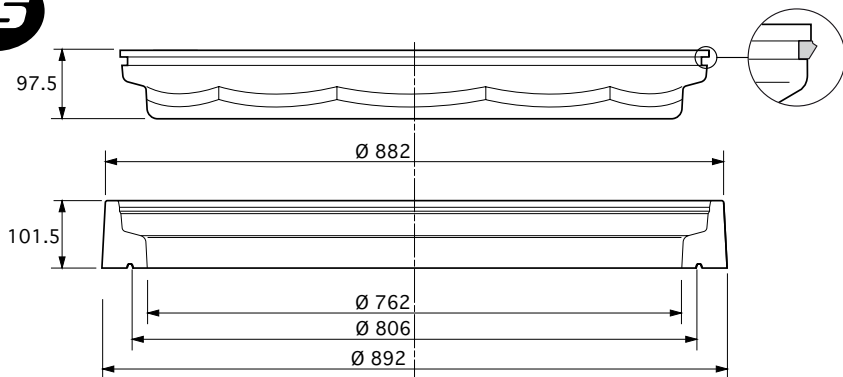


Notes:	Category: ACCESS COVER & FRAME - SEALED	
	Product Description: FL760 - 762mm diameter flat sealed composite cover with a composite frame.	
For reference purposes only. This drawing is not a specification.	Drawing No.: 13944	Product Code: FL760
	Date: May 2006	Revisions:

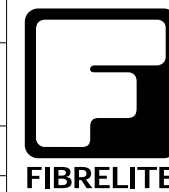


standard plus[®]



Weights	
Cover Weight:	26.5kgs
Frame Weight:	7.8kgs

Notes:	Category: ACCESS COVER & FRAME - SEALED
	Product Description: FL760 - 762mm diameter flat sealed composite cover with a composite frame.
For reference purposes only. This drawing is not a specification.	Drawing No.: 13945
	Date: May 2006
	Product Code: FL760
	Revisions:





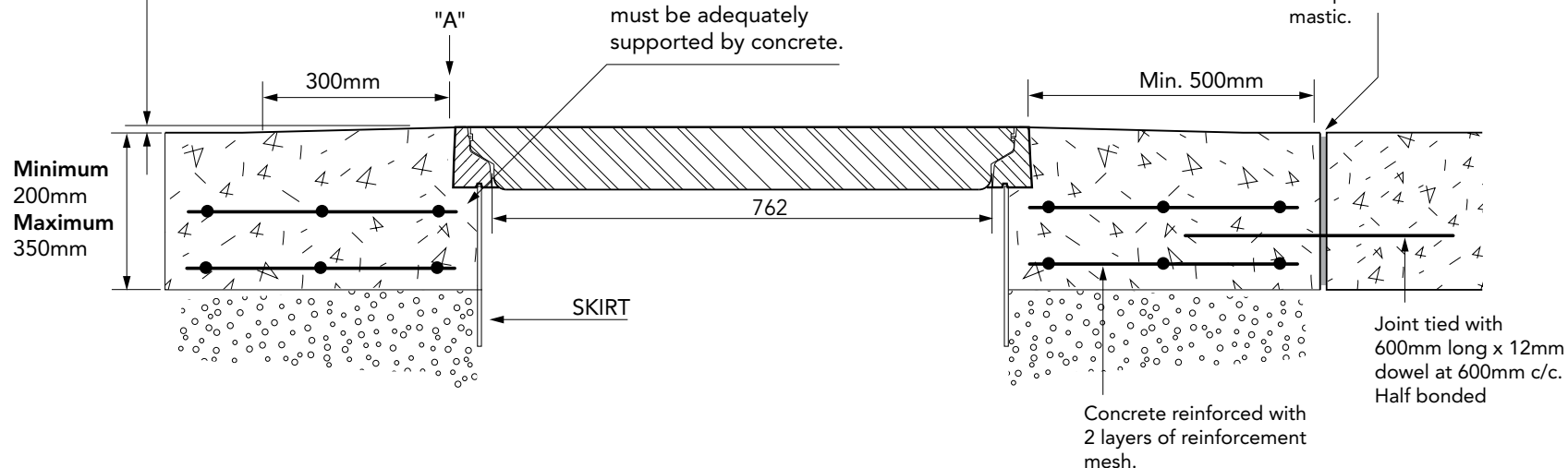
CONCRETE

VERY IMPORTANT

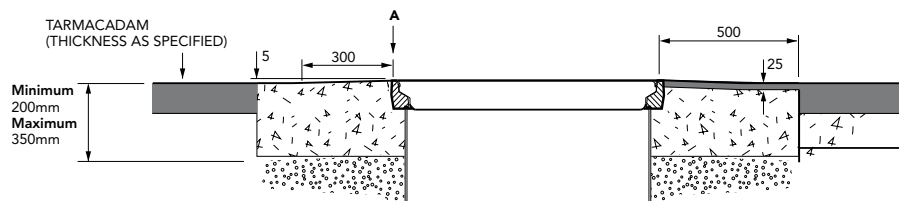
OUTER EDGE "A" OF FRAME SET 5MM ABOVE GENERAL FORECOURT AREA WITH CONCRETE RAMPED AWAY OVER 300MM

VERY IMPORTANT

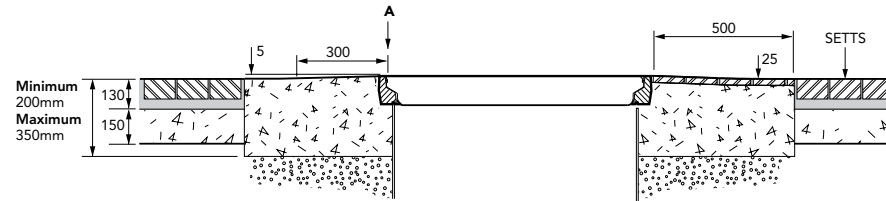
The underside of the frame must be adequately supported by concrete.



TARMACADAM



SETTS



- TARMACADAM
- CONCRETE
- PEA GRAVEL
- SAND

Notes:

For reference purposes only.
 This drawing is not a specification.

Category: **ACCESS COVER & FRAME - SEALED**

Product Description: **FL760 - 762mm diameter flat sealed composite cover with a composite frame.**

Drawing No.: **13946**

Product Code: **FL760**

Date: **May 2006**

Revisions:

