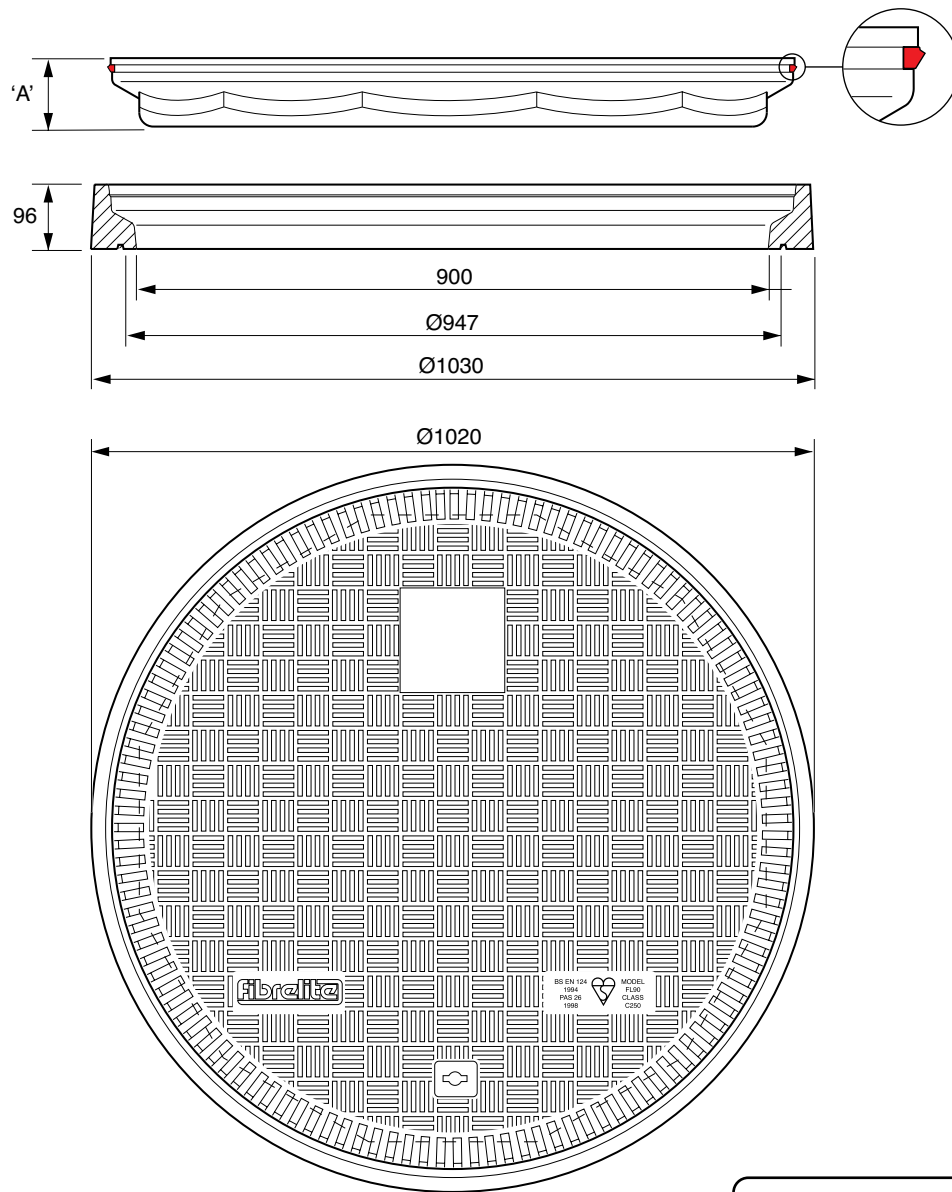


Category: <b>ACCESS COVER &amp; FRAME - SEALED</b>		
Product Description: 900mm diameter flat sealed composite cover with a composite frame.		
Page No: <b>1</b>	Product Code: <b>FL90</b>	Date: <b>May 2013</b>



Load Rating	Cover Weight	Frame Weight	Cover Height ('A')
B125	21 kg	9 kg	63 mm
C250	34 kg	9 kg	97.5 mm
D400	47 kg	9 kg	97.5 mm

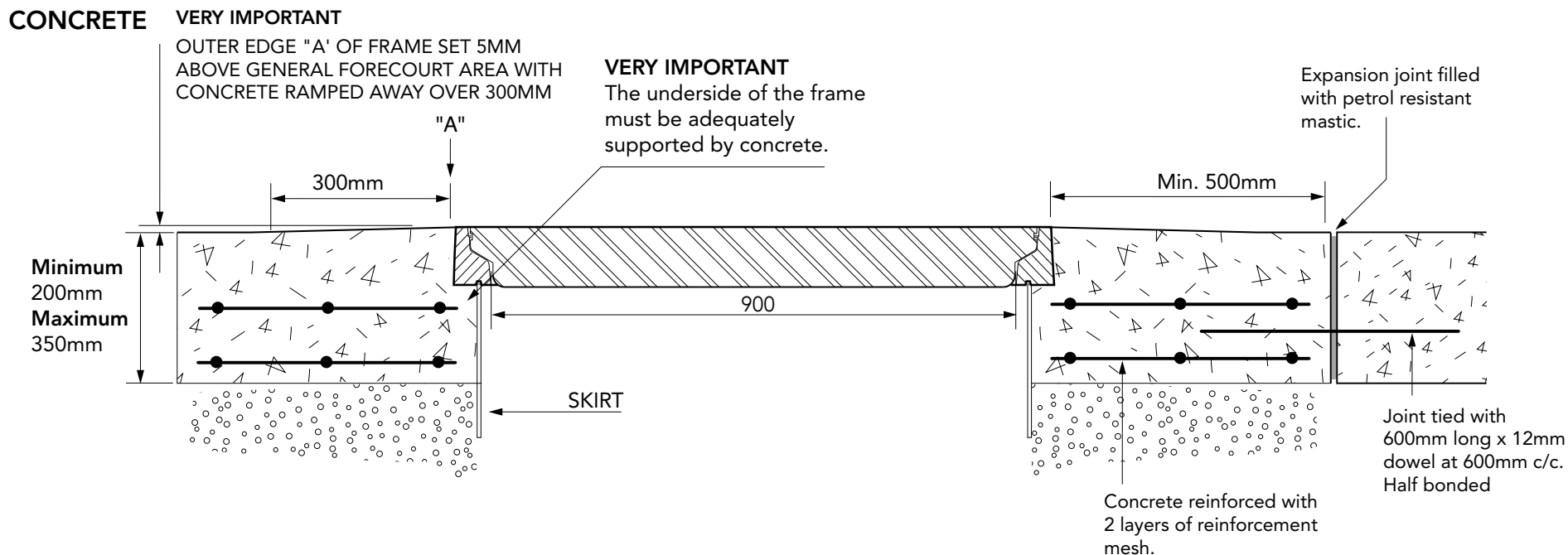
Category: **ACCESS COVER & FRAME - SEALED**

Product Description: 900mm diameter flat sealed composite cover with a composite frame.

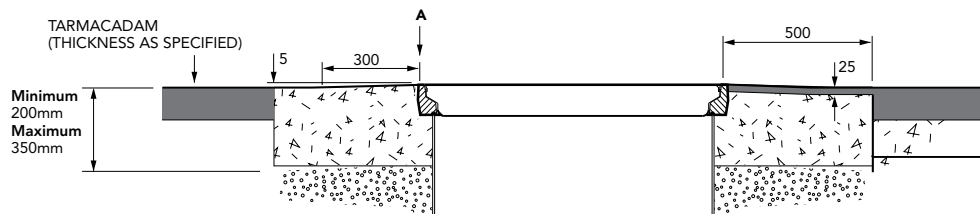
Page No: **2**

Product Code: **FL90**

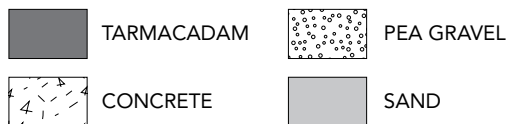
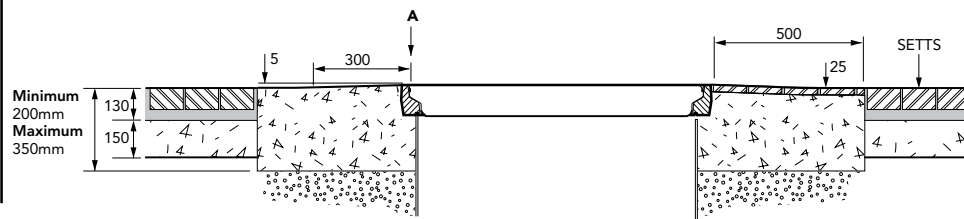
Date: **May 2013**



**TARMACADAM**



**SETTS**



Category: **ACCESS COVER & FRAME - SEALED**

Product 900mm diameter flat sealed composite cover with a composite frame.  
 Description:

Page No: **3**

Product Code: **FL90**

Date: **May 2013**