

Category: **TRENCH COVERS**

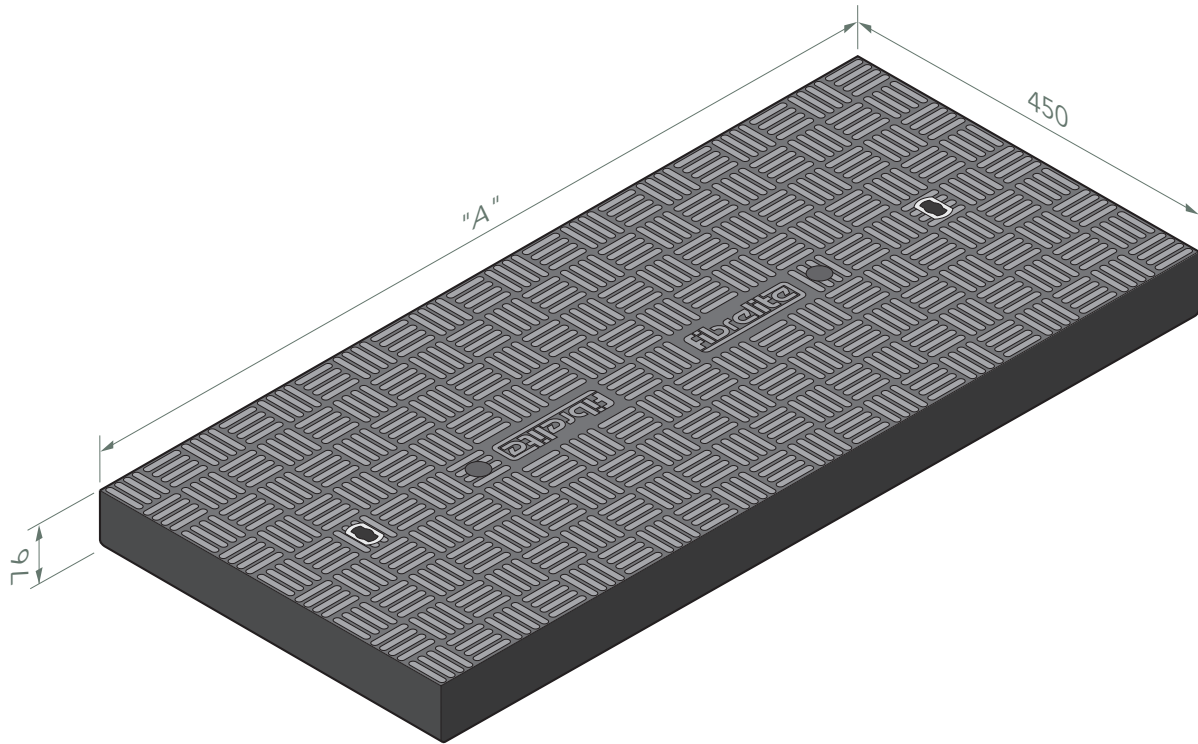
Product Description: Standard duty C250 load rating, composite trench covers.
Capable of withstanding loads of up to 56,000lb / 25 tonnes.

Page No: **1**

Drawing Code: **FM/SD**

Date: **April 2014**

Cover Depth - 76mm



Product Code	Cover Length DIM "A" (mm)	Weight (Kg)
FM45-60-76/SD	600	14
FM45-70-76/SD	700	16
FM45-80-76/SD	800	18
FM45-90-76/SD	900	21
FM45-100-76/SD	1000	23
FM45-110-76/SD	1100	25
FM45-120-76/SD	1200	28
FM45-130-76/SD	1300	30
FM45-140-76/SD	1400	32



Category: **TRENCH COVERS**

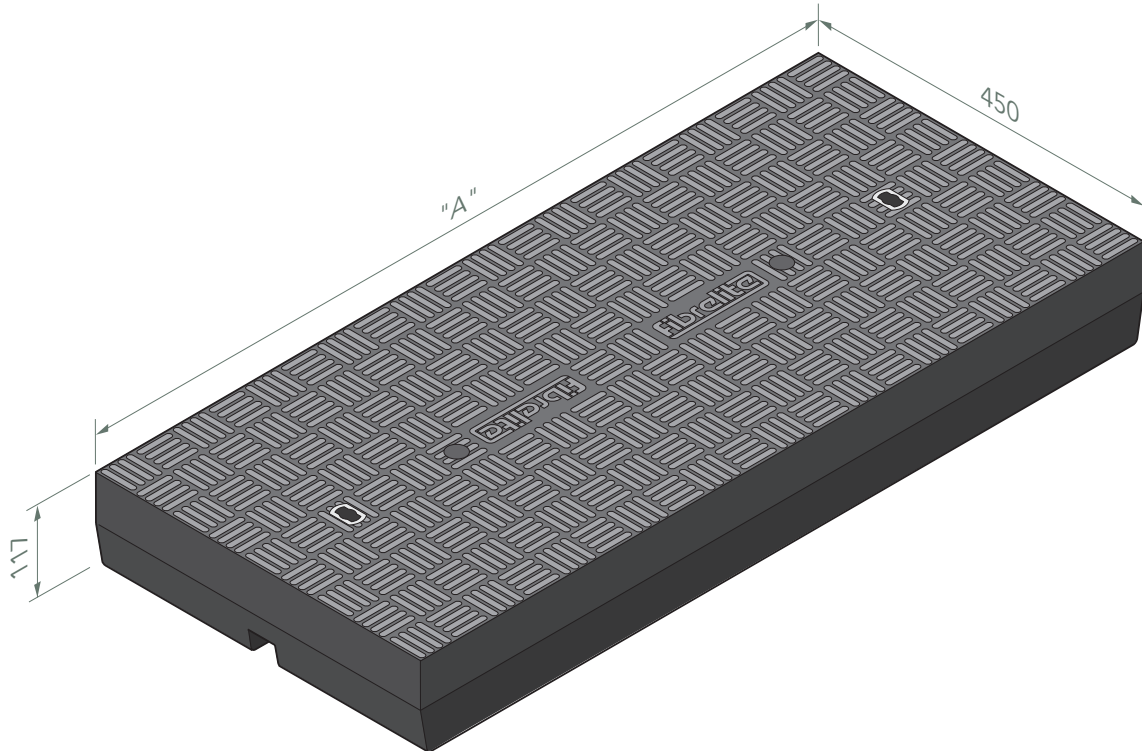
Product Description: Standard duty C250 load rating, composite trench covers.
 Capable of withstanding loads of up to 56,000lb / 25 tonnes.

Page No: **2**

Drawing Code: **FM/SD**

Date: **April 2014**

Cover Depth - 117mm



Product Code	Cover Length DIM "A" (mm)	Weight (Kg)
FM45-60-117/SD	600	14
FM45-70-117/SD	700	17
FM45-80-117/SD	800	19
FM45-90-117/SD	900	21
FM45-100-117/SD	1000	23
FM45-110-117/SD	1100	26
FM45-120-117/SD	1200	28
FM45-130-117/SD	1300	30
FM45-140-117/SD	1400	33
FM45-150-117/SD	1500	35
FM45-160-117/SD	1600	37



Category: **TRENCH COVERS**

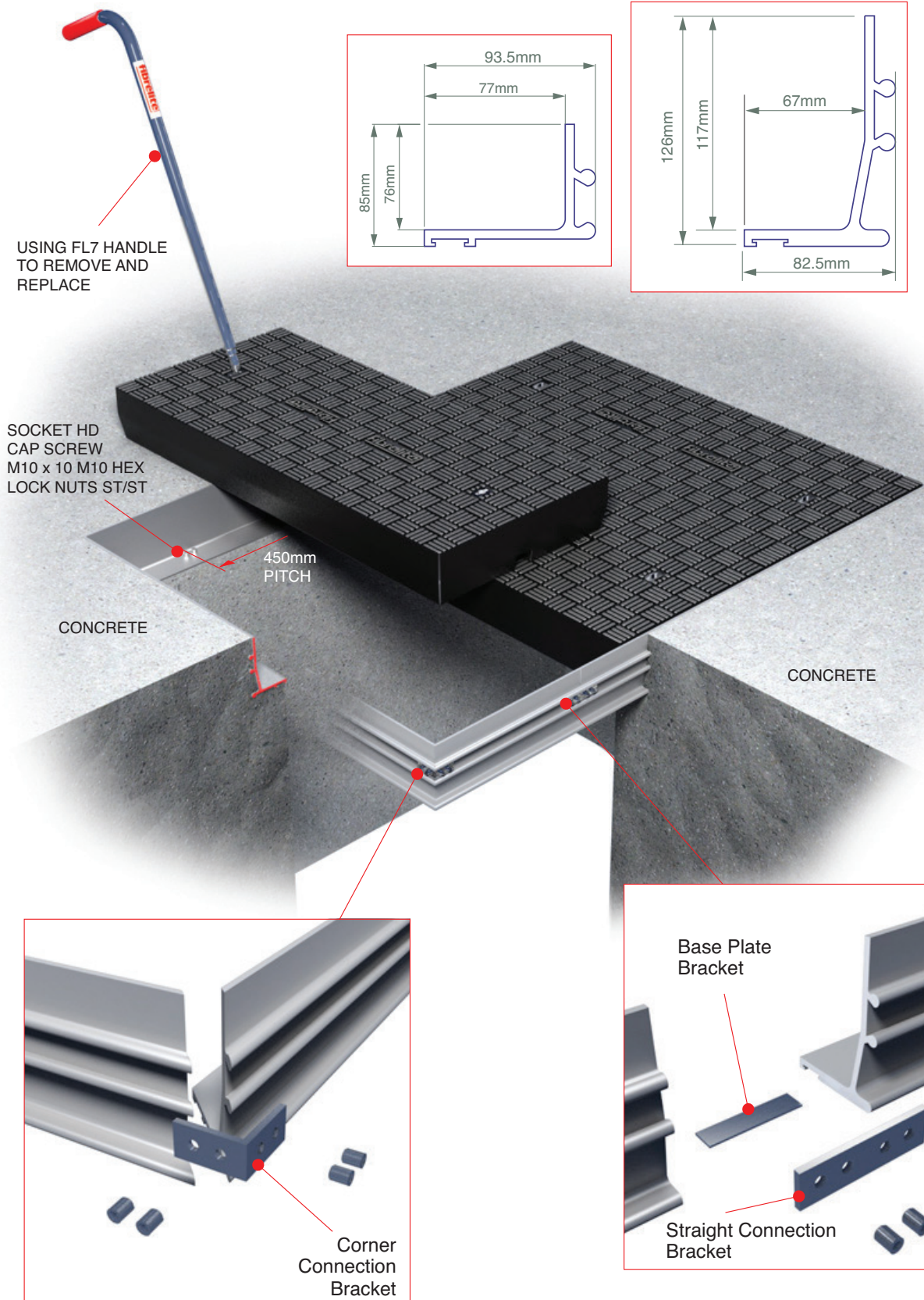
Product Description: Standard duty C250 load rating, composite trench covers.
 Capable of withstanding loads of up to 56,000lb / 25 tonnes.

Page No: **3**

Drawing Code: **FM/SD**

Date: **April 2014**

Frame Detail



Category: **TRENCH COVERS**

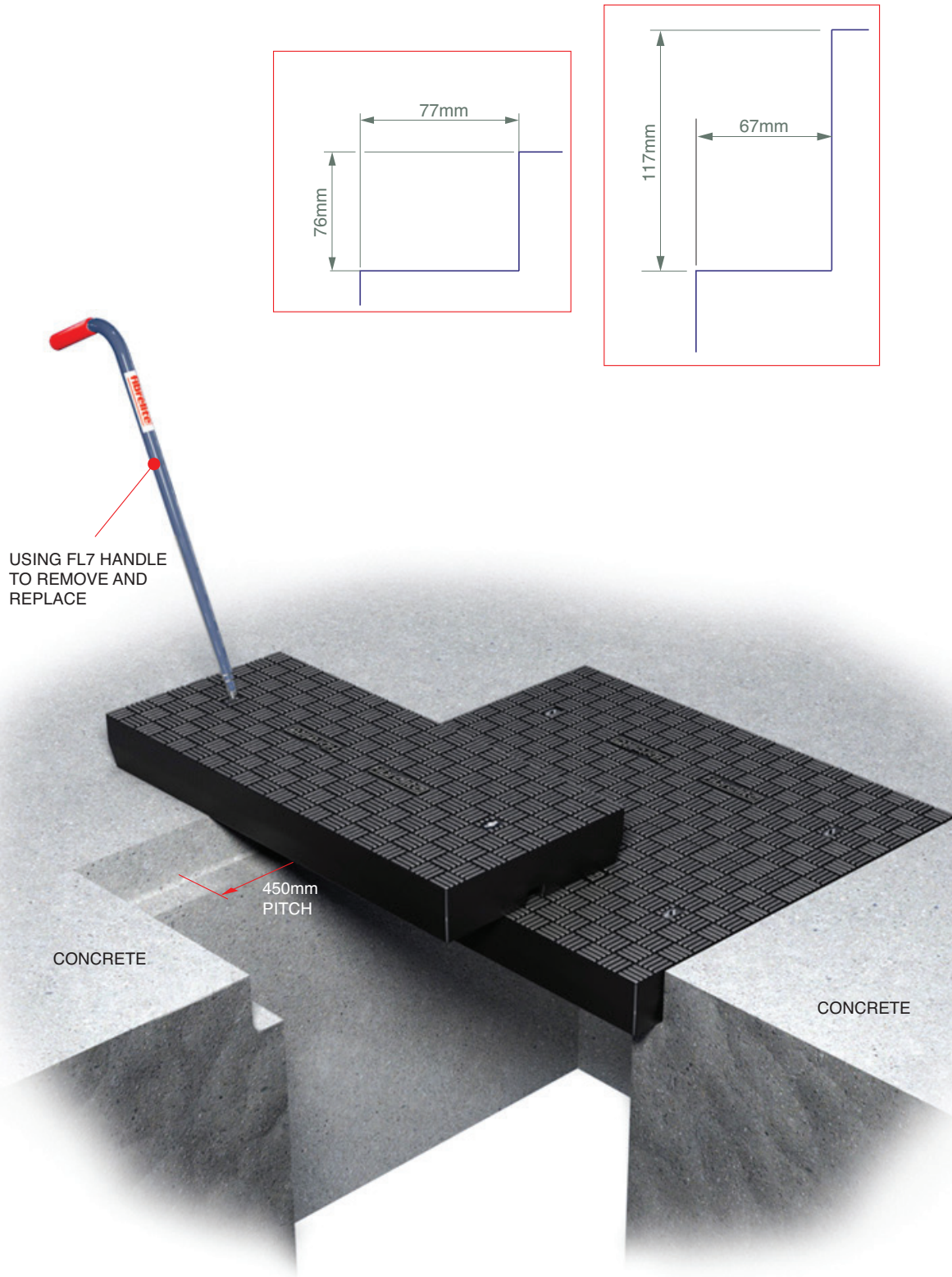
Product Description: Standard duty C250 load rating, composite trench covers. Capable of withstanding loads of up to 56,000lb / 25 tonnes.

Page No: **4**

Drawing Code: **FM/SD**

Date: **April 2014**

Rebate Detail



FIBRELITE

Category: **TRENCH COVERS**

Product Description: Standard duty C250 load rating, composite trench covers.
Capable of withstanding loads of up to 56,000lb / 25 tonnes.

Page No: **5**

Drawing Code: **FM/SD**

Date: **April 2014**