

Category: **TRENCH COVERS**

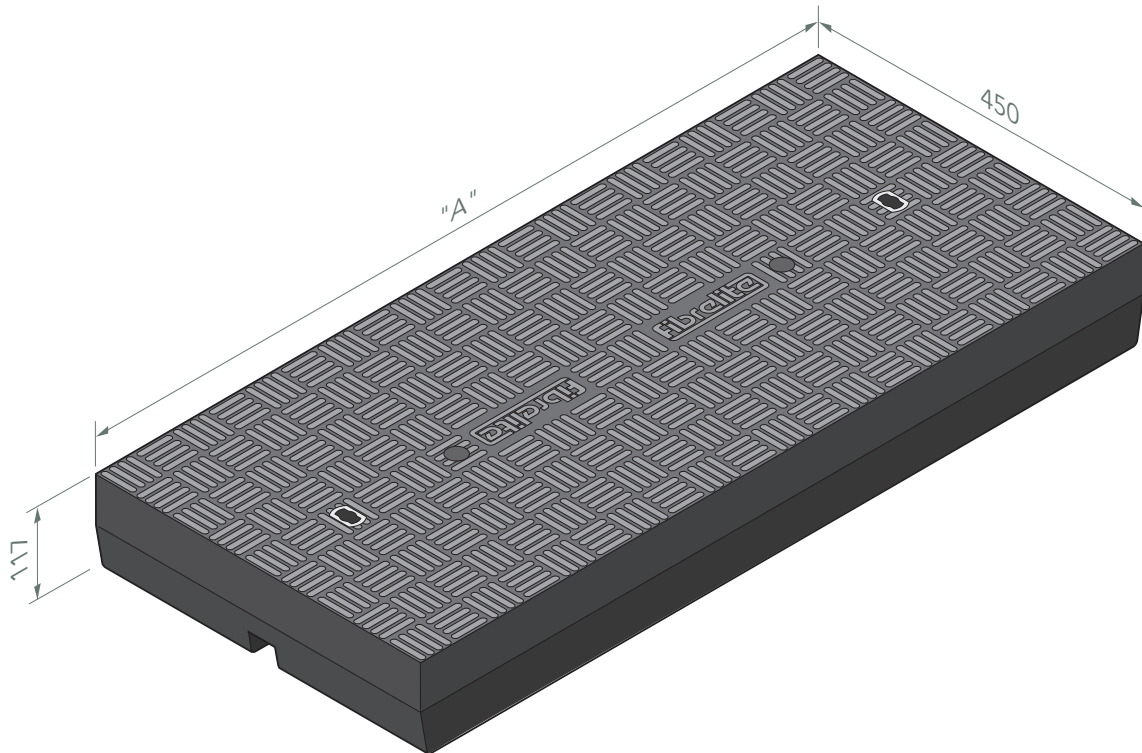
Product Description: Heavy duty D400 load rating, composite trench covers.
Capable of withstanding loads of up to 90,000lb / 40 tonnes.

Page No: **1**

Drawing Code: **FM/HD**

Date: **April 2014**

Cover Depth - 117mm



Product Code	Cover Length DIM "A" (mm)	Weight (Kg)
FM45-60-117/HD	600	22
FM45-70-117/HD	700	25
FM45-80-117/HD	800	29
FM45-90-117/HD	900	32
FM45-100-117/HD	1000	36
FM45-110-117/HD	1100	40
FM45-120-117/HD	1200	43
FM45-130-117/HD	1300	47
FM45-140-117/HD	1400	50
FM45-150-117/HD	1500	54
FM45-160-117/HD	1600	58



Category: **TRENCH COVERS**

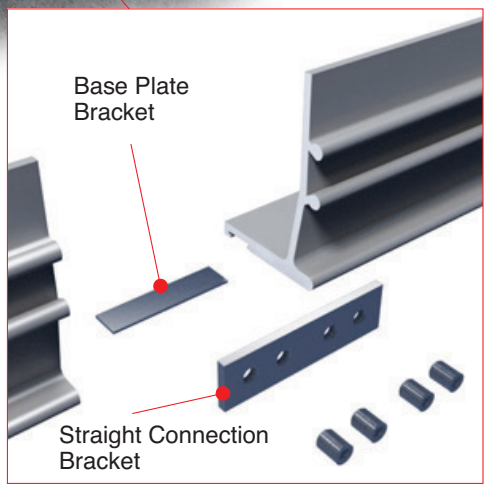
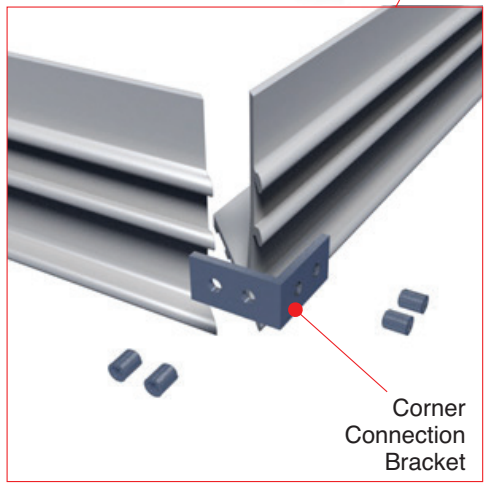
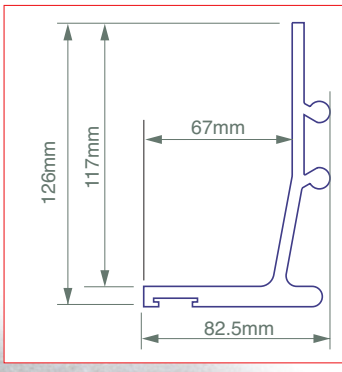
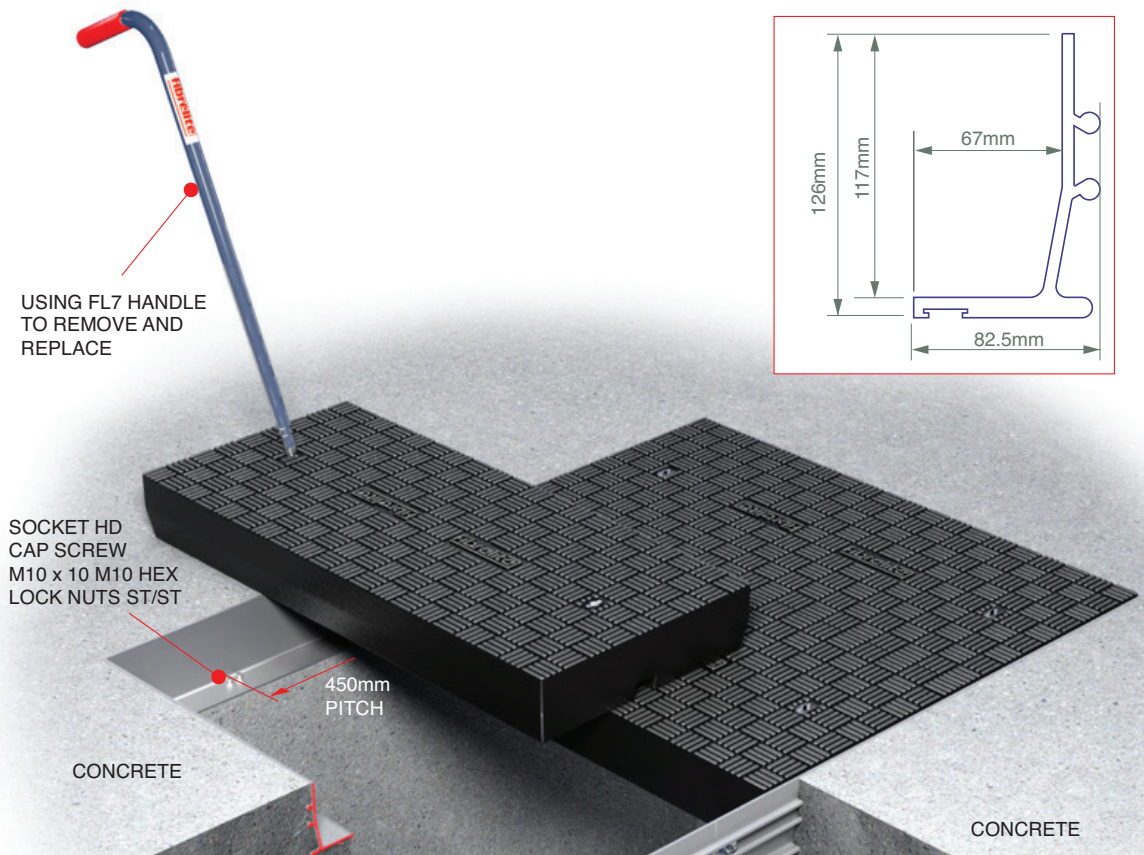
Product Description: Heavy duty D400 load rating, composite trench covers.
 Capable of withstanding loads of up to 90,000lb / 40 tonnes.

Page No: **2**

Drawing Code: **FM/HD**

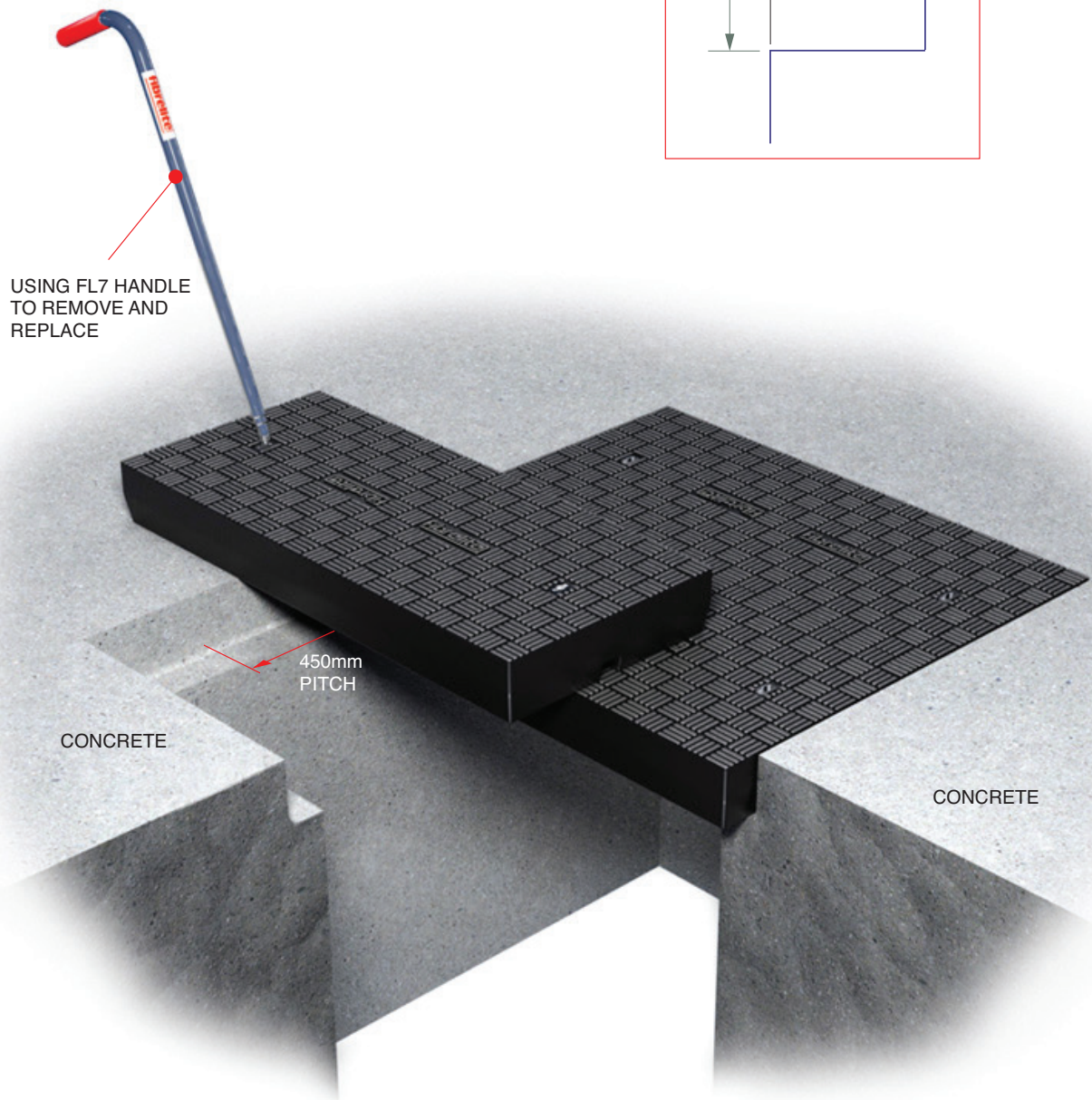
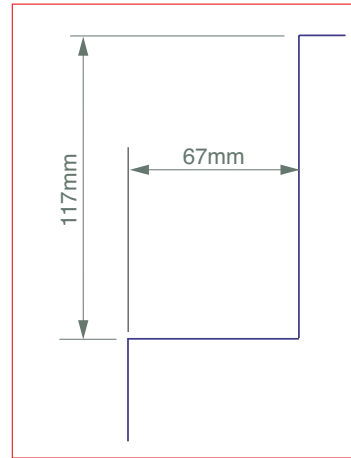
Date: **April 2014**

Frame Detail



Category:	TRENCH COVERS		
Product Description:	Heavy duty D400 load rating, composite trench covers. Capable of withstanding loads of up to 90,000lb / 40 tonnes.		
Page No:	3	Drawing Code:	FM/HD
		Date:	April 2014

Rebate Detail



Category: **TRENCH COVERS**

Product Description: Heavy duty D400 load rating, composite trench covers.
Capable of withstanding loads of up to 90,000lb / 40 tonnes.

Page No: **4**

Drawing Code: **FM/HD**

Date: **April 2014**